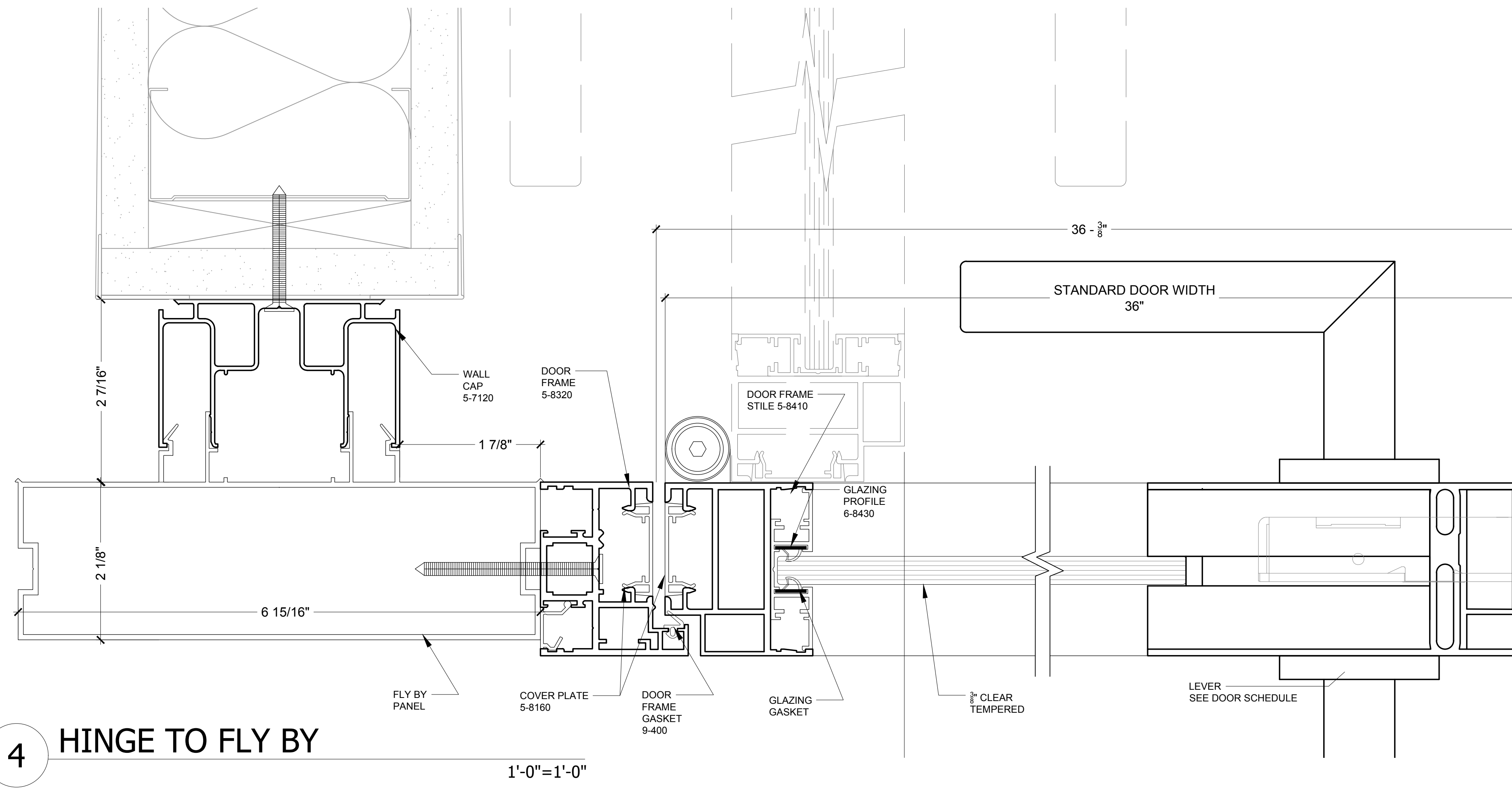
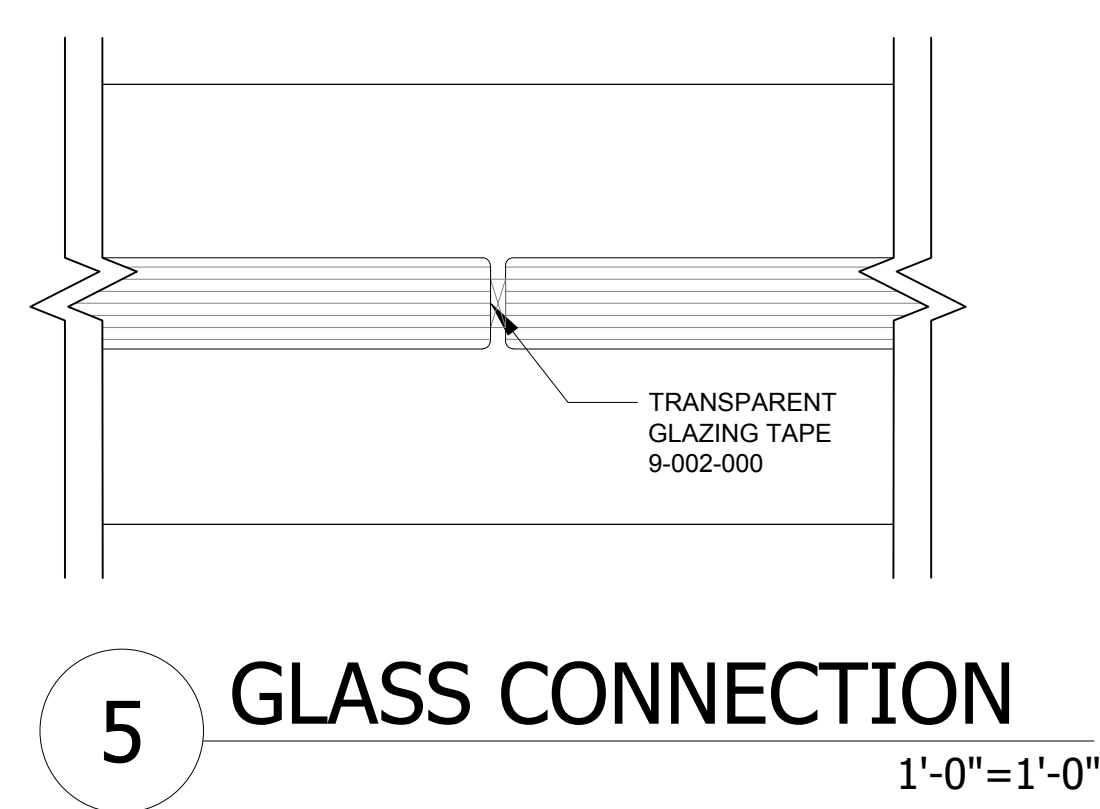


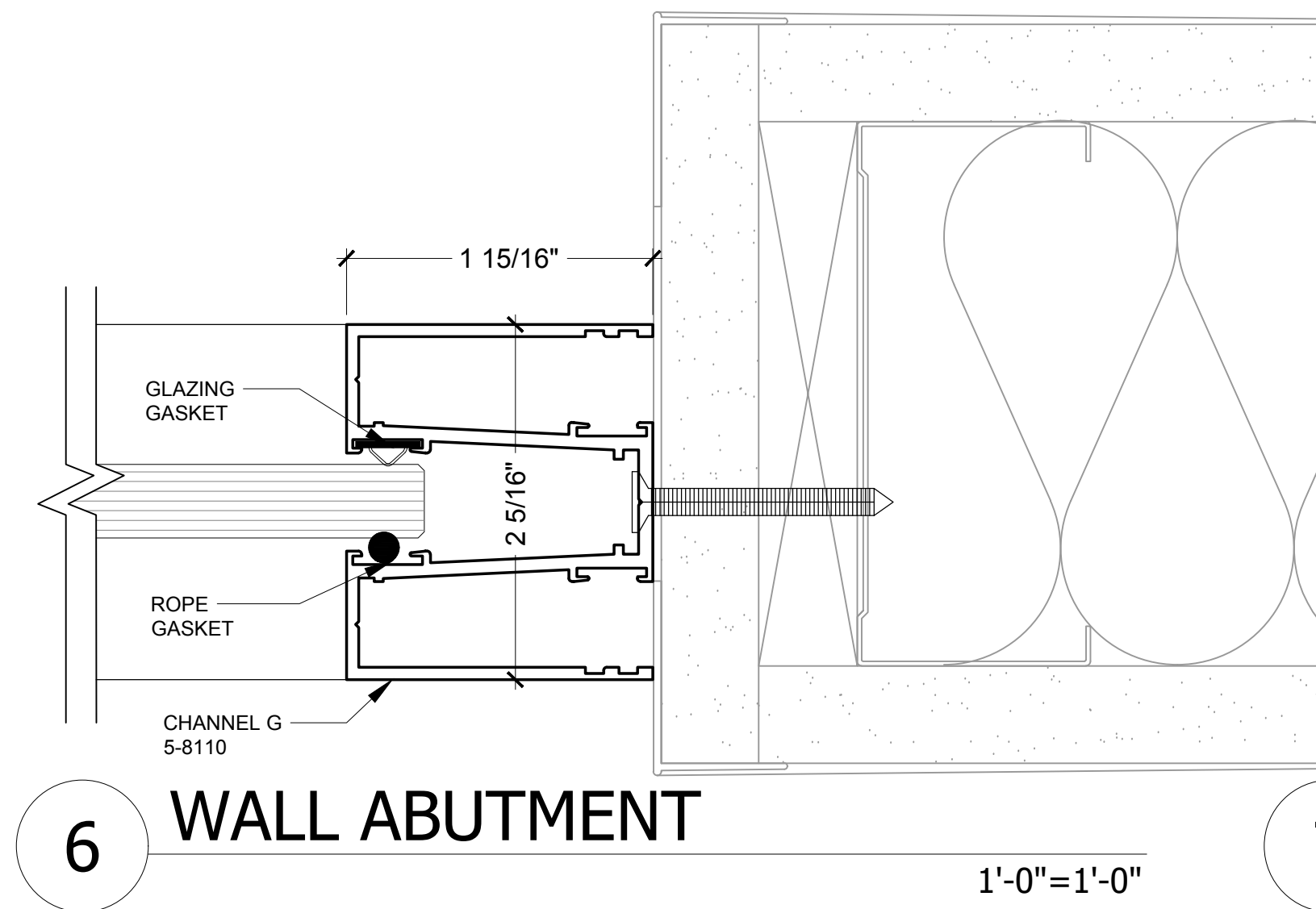
1 ELEVATION
1'-0"=1'-0"



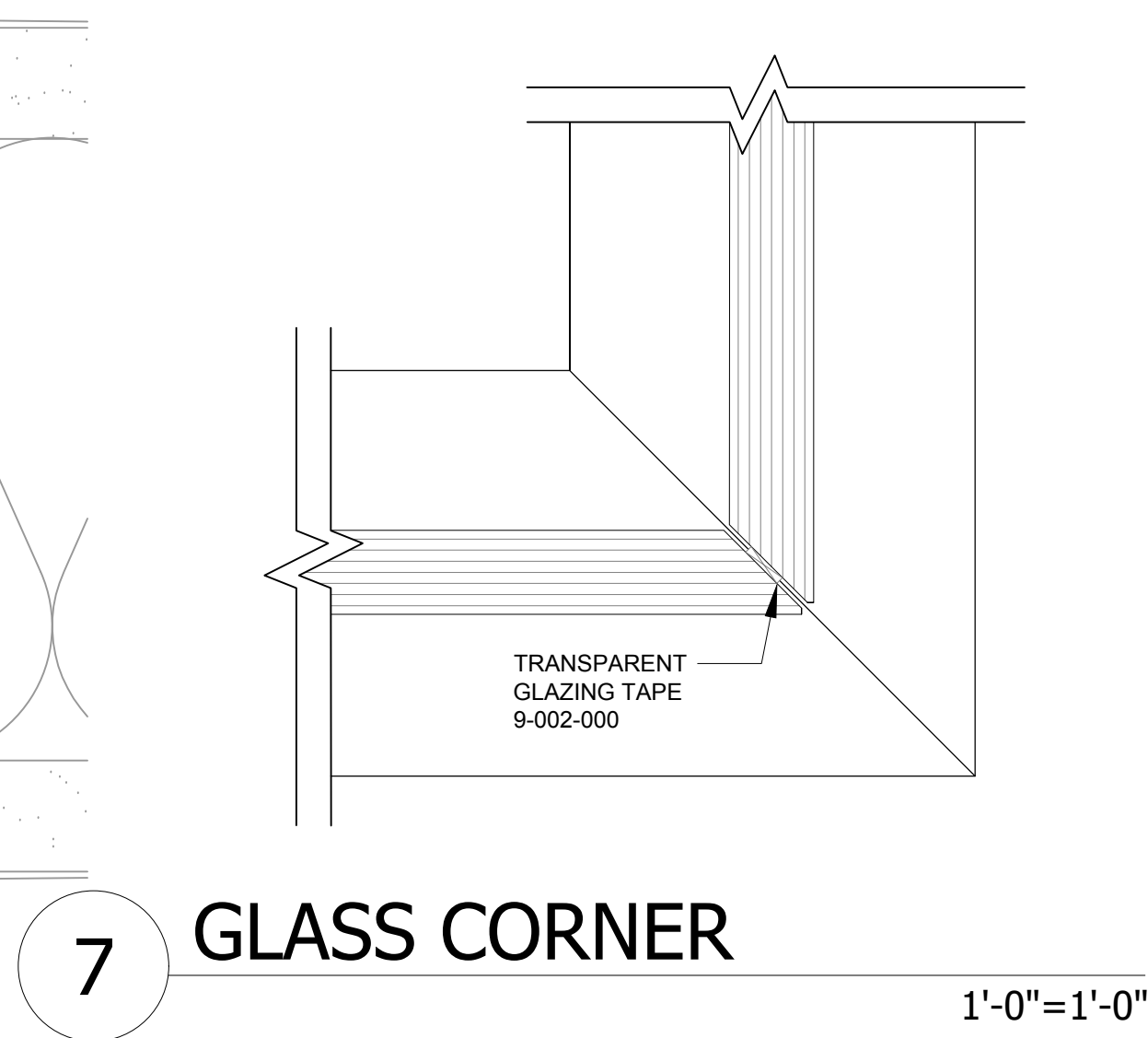
4 HINGE TO FLY BY
1'-0"=1'-0"



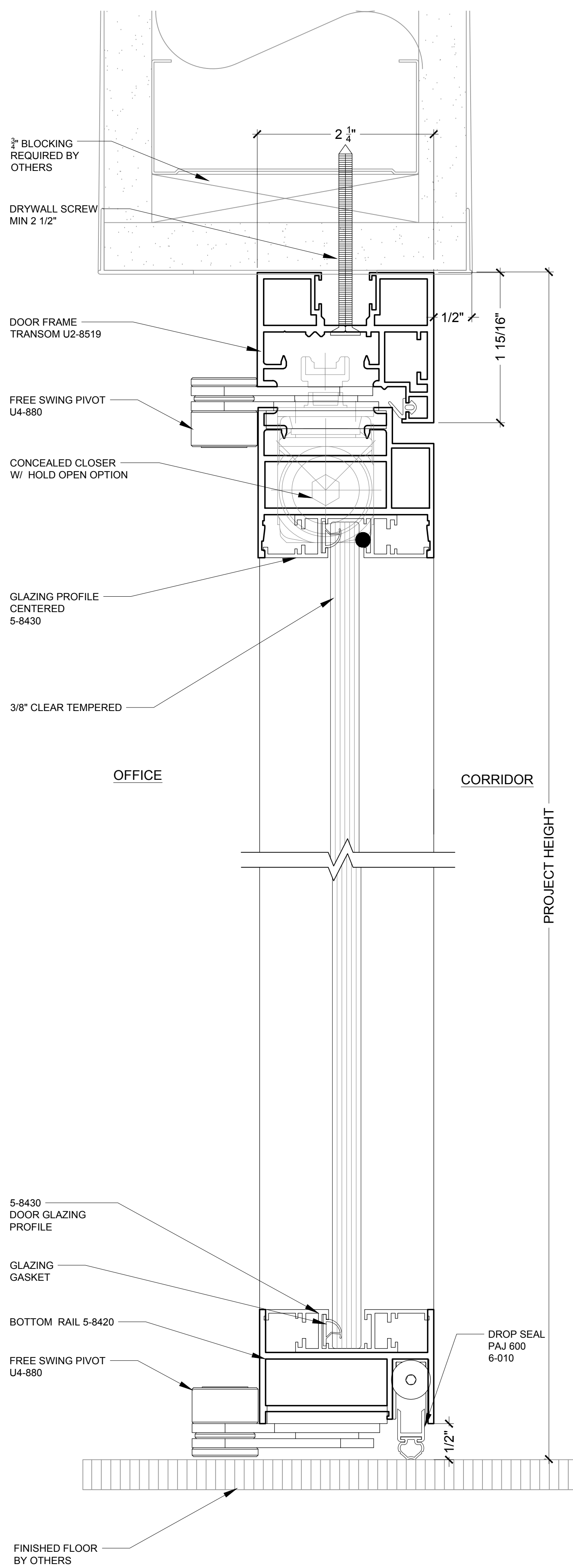
5 GLASS CONNECTION
1'-0"=1'-0"



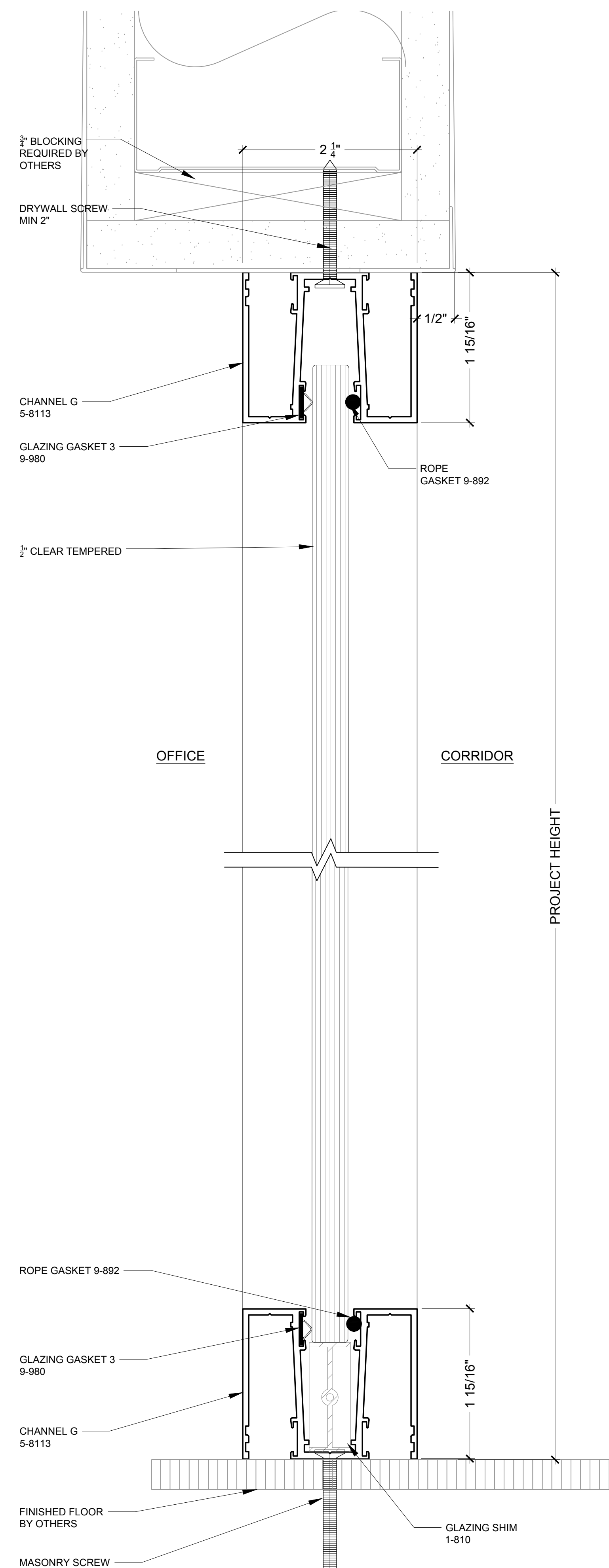
6 WALL ABUTMENT
1'-0"=1'-0"



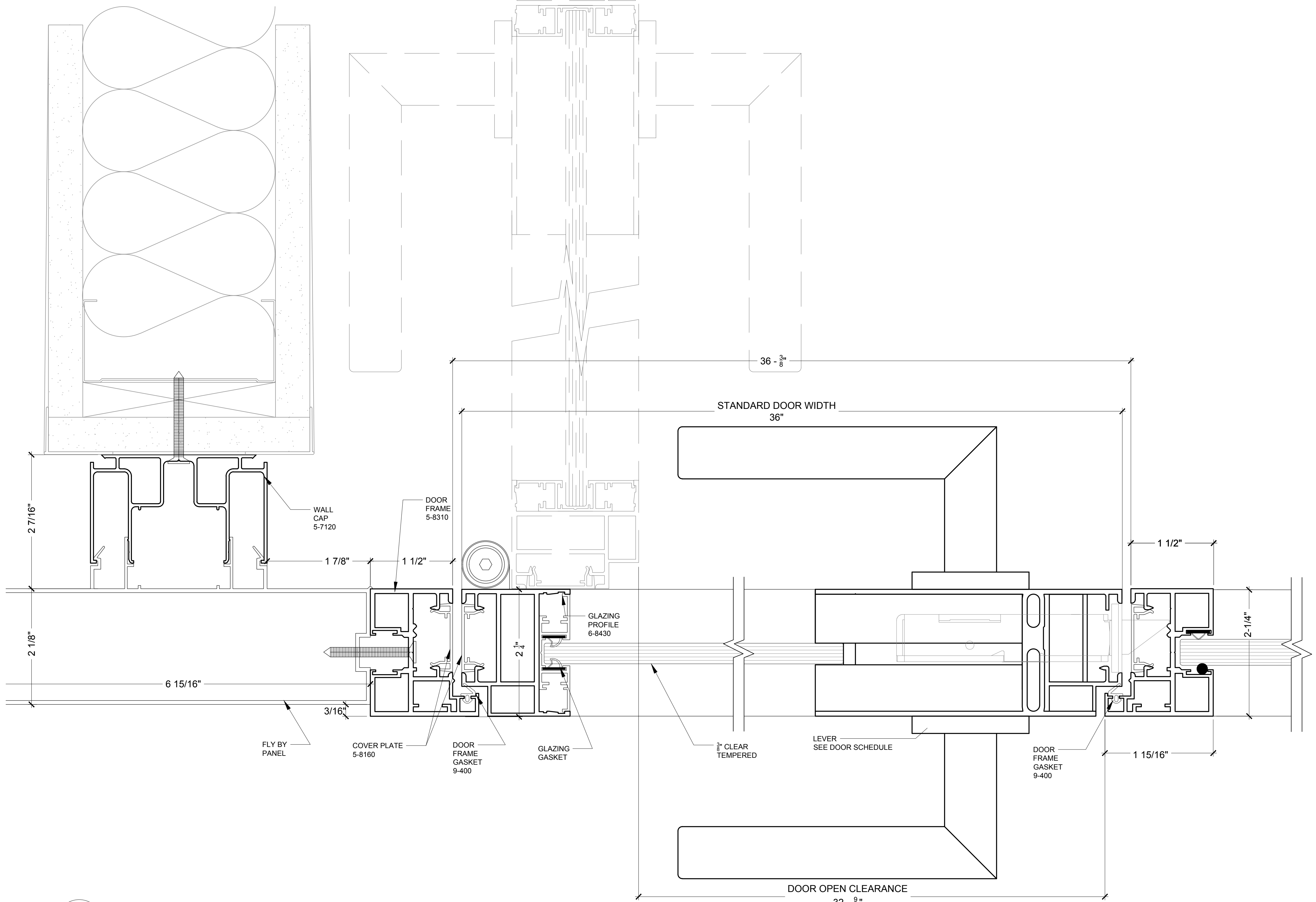
7 GLASS CORNER
1'-0"=1'-0"



1 FRAMED CENTERED PIVOT DOOR
1'-0"=1'-0"



2 CENTER SINGLE FIXED CHANNEL
1'-0"=1'-0"



3 FRAMED PIVOT DOOR W/ LEVER HANDLE
1'-0"=1'-0"

LEGEND:

1	Out for Approval	M: 0-2011
NO	REVISION	DATE

Framed Single Glazed Centered Pivot Door w/ Lever

PROJECT:

CLIPPER STANDARDS DRAWINGS

DRAWING TITLE: **FRAMED CENTERED PIVOT W-LEVER**

PROJECT No. _____ JOB NO. _____
 DATE: _____ March 5, 2019
 SCALE: 1" = 1'-0"
 DRAWN BY: _____
 CHECKED BY: _____
 Approved By: _____
 Signature _____ Date _____

225 Park Avenue South - Suite 201
 New York, NY 10003
 Tel: 212.647.6200
 175 Morrisdown Rd., Ste 200
 Basking Ridge, NJ 07920
 Tel: 908.931.0201
 WWW.WBWOOD.COM
 • New York • New Jersey •

A Herman Miller Certified Network Member

These plans are an instrument of service and are the property of WB Wood. Infringements will be prosecuted.